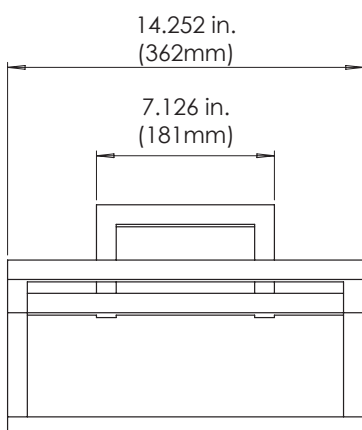
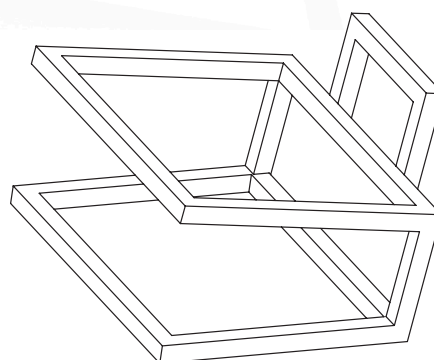
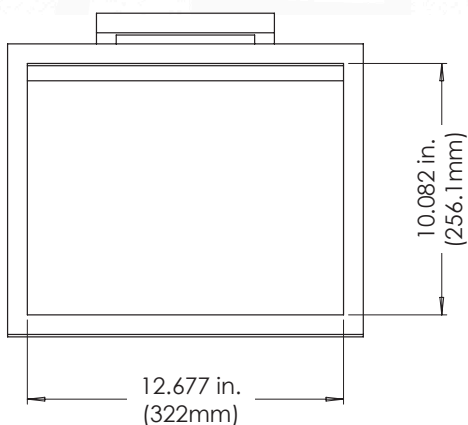


JS-120 Loudspeaker Stand



Features

- Designed for the L100 Classic
- Also supports the original L100, L100A, L100 Century, 4312E, 4312SE, 4312G and 4319
- 4 rubber-tipped floor feet are included
- Packed and sold in pairs
- Metal construction with black finish

Specifications

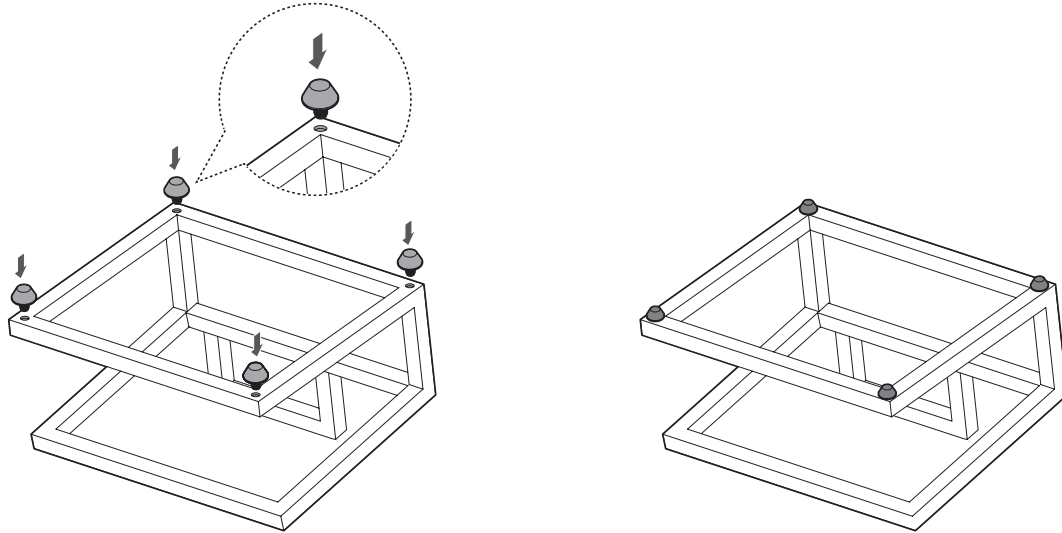
- ▶ Rear Height (bottom of speaker): 5.65" (143.4mm)
- ▶ Rear Riser Height: 9.29" (235.9mm)
- ▶ Rear Height (including riser): 9.29"
- ▶ Front Height (bottom of speaker): 7.075" (179.7mm)
- ▶ Tilt-back angle: 7 degrees
- ▶ NOTE: Feet are adjustable in height

JS-120 Loudspeaker Stand



JS-120 LOUDSPEAKER STAND ASSEMBLY INSTRUCTIONS

Step 1 - Locate the parts (packed with the stand) that contains 4 pieces of rubber feet. Place the stand upside down and install the bottom base with rubber feet as shown below. Tighten the rubber feet in clockwise direction.



Step 2 - Place your loudspeaker as shown.

